

# NHD-0220WH-LYYH-JT#

## Character Liquid Crystal Display Module

|       |  |
|-------|--|
| NHD-  | Newhaven Display                                   |
| 0220- | 2 Lines x 20 Characters                            |
| WH-   | Display Type: Character                            |
| L-    | Model  |
| Y-    | Yellow/Green LED Backlight                         |
| Y-    | STN Positive - Yellow/Green                        |
| H-    | Transflective, 6:00 Optimal View, Wide Temperature |
| JT#-  | English and Japanese Standard Font                 |
|       | <b>RoHS Compliant</b>                              |

### Newhaven Display International, Inc.

2661 Galvin Ct.

Elgin IL, 60124

Ph: 847-844-8795

Fax: 847-844-8796

[www.newhavendisplay.com](http://www.newhavendisplay.com)

[nhtech@newhavendisplay.com](mailto:nhtech@newhavendisplay.com)

[nhsales@newhavendisplay.com](mailto:nhsales@newhavendisplay.com)

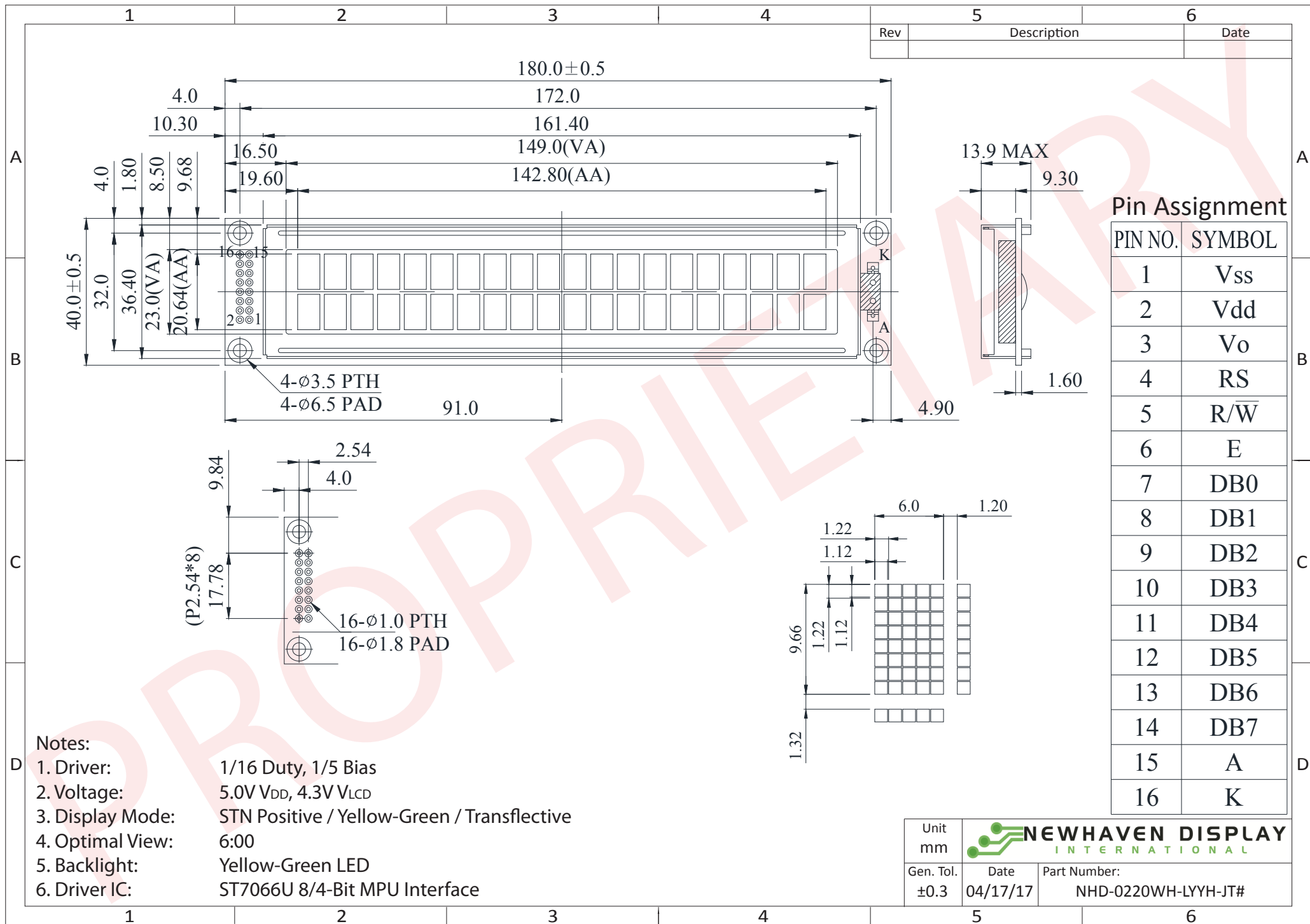
## Document Revision History

| Revision | Date     | Description  | Changed by |
|----------|----------|--|------------|
| 0        | 10/21/08 | Initial Release  | -          |
| 1        | 2/11/10  | User Guide Reformat                                    | MC         |
| 2        | 6/3/10   | Character code updated                                 | BE         |
| 3        | 3/1/11   | Alternate controller information updated               | AK         |
| 4        | 5/5/11   | Electrical characteristics updated                     | AK         |
| 5        | 4/17/17  | Mechanical Drawing, Electrical & Optical Char. Updated | SB         |
| 6        | 5/25/17  | Backlight Characteristics Updated                      | SB         |

## Functions and Features

- 2 lines x 20 characters
- Built-in controllers (ST7066U)
- +5.0 V Power Supply
- 1/16 duty, 1/5 bias
- RoHS compliant

# Mechanical Drawing



- Notes:
1. Driver: 1/16 Duty, 1/5 Bias
  2. Voltage: 5.0V V<sub>DD</sub>, 4.3V V<sub>LCD</sub>
  3. Display Mode: STN Positive / Yellow-Green / Transflective
  4. Optimal View: 6:00
  5. Backlight: Yellow-Green LED
  6. Driver IC: ST7066U 8/4-Bit MPU Interface

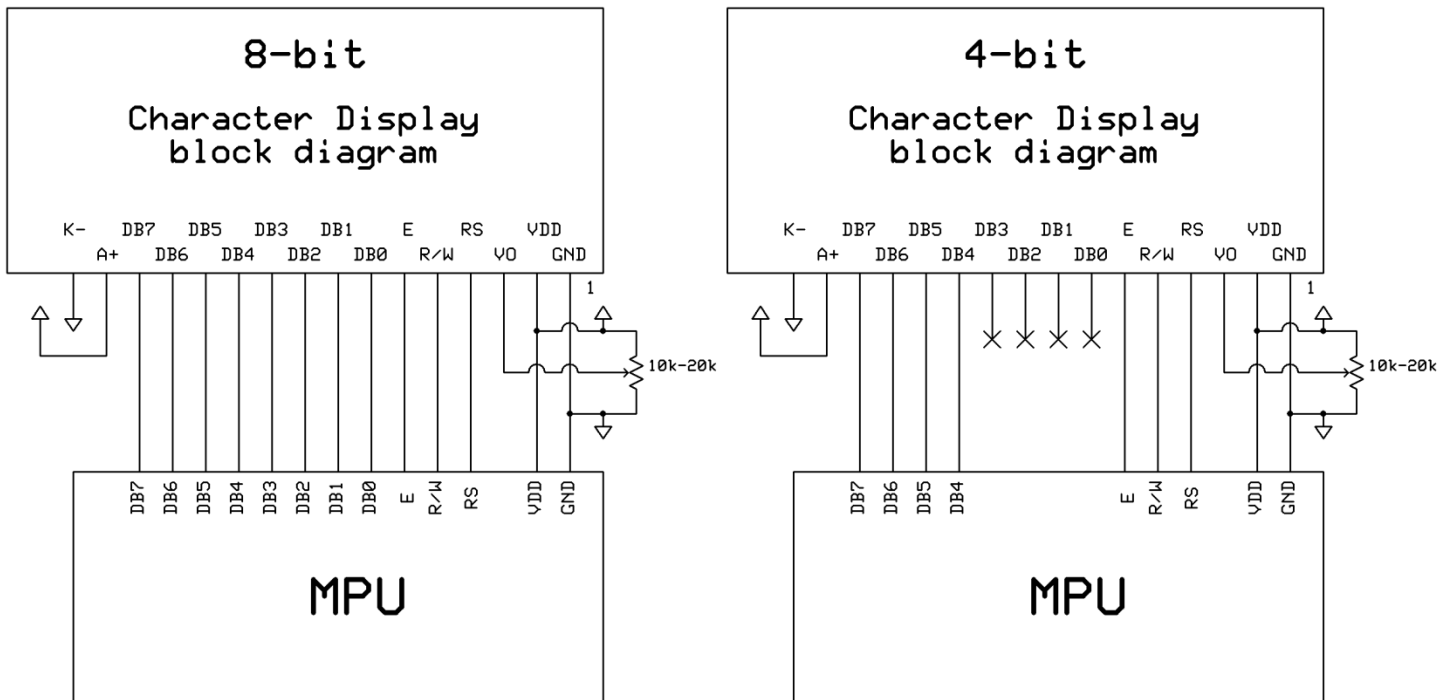
|                   |   |                                     |
|-------------------|---|-------------------------------------|
| Unit<br>mm        |  |                                     |
| Gen. Tol.<br>±0.3 | Date<br>04/17/17  | Part Number:<br>NHD-0220WH-LYYH-JT# |

## Pin Description and Wiring Diagram

| Pin No. | Symbol          | External Connection | Function Description  |
|---------|-----------------|---------------------|---|
| 1       | V <sub>SS</sub> | Power Supply        | Ground  |
| 2       | V <sub>DD</sub> | Power Supply        | Supply Voltage for Logic (+5.0V)  |
| 3       | V <sub>0</sub>  | Power Supply        | Supply Voltage for Contrast (approx. 0.5V)  |
| 4       | RS              | MPU                 | Register Select signal. RS=0: Command, RS=1: Data   |
| 5       | R/W             | MPU                 | Read/Write select signal, R/W=1: Read R/W=0: Write  |
| 6       | E               | MPU                 | Operation Enable signal. Falling edge triggered.  |
| 7-10    | DB0-DB3         | MPU                 | Four low order bi-directional three-state data bus lines. These four are not used during 4-bit operation. |
| 11-14   | DB4-DB7         | MPU                 | Four high order bi-directional three-state data bus lines.  |
| 15      | LED+            | Power Supply        | Backlight Anode (360 mA @ 4.1V)   |
| 16      | LED-            | Power Supply        | Backlight Cathode (Ground)  |

Recommended LCD connector: 2.54mm pitch pins

Backlight connector: --- Mates with: ---



## Electrical Characteristics

| Item                        | Symbol           | Condition  | Min.                  | Typ.    | Max.            | Unit |
|-----------------------------|------------------|--|-----------------------|---------|-----------------|------|
| Operating Temperature Range | T <sub>OP</sub>  | Absolute Max                                     | -20                   | -       | +70             | °C   |
| Storage Temperature Range   | T <sub>ST</sub>  | Absolute Max                                     | -30                   | -       | +80             | °C   |
| Supply Voltage              | V <sub>DD</sub>  | -  | 4.5                   | 5.0     | 5.5             | V    |
| Supply Current              | I <sub>DD</sub>  | V <sub>DD</sub> = 5.0V<br>T <sub>OP</sub> = 25°C | 0.3                   | 1.5     | 3.5             | mA   |
| Supply for LCD (contrast)   | V <sub>LCD</sub> |  | 4.1                   | 4.3     | 4.5             | V    |
| "H" Level input             | V <sub>IH</sub>  | -  | 0.7 * V <sub>DD</sub> | -       | V <sub>DD</sub> | V    |
| "L" Level input             | V <sub>IL</sub>  | -  | V <sub>SS</sub>       | -       | 0.6             | V    |
| "H" Level output            | V <sub>OH</sub>  | -  | 3.9                   | -       | V <sub>DD</sub> | V    |
| "L" Level output            | V <sub>OL</sub>  | -  | V <sub>SS</sub>       | -       | 0.4             | V    |
| Backlight Supply Current    | I <sub>LED</sub> | -  | -                     | 360     | 430             | mA   |
| Backlight Supply Voltage    | V <sub>LED</sub> | I <sub>LED</sub> = 360mA                         | 4.0                   | 4.3     | 4.5             | V    |
| Backlight Lifetime          | -                | I <sub>LED</sub> = 360mA                         | -                     | 100,000 | -               | Hrs. |

\*The LED of the backlight is driven by current drain; drive voltage is for reference only. Drive voltage must be selected to ensure backlight current drain is below MAX level stated.

## Optical Characteristics

| Item                   | Symbol | Condition              | Min. | Typ. | Max. | Unit |
|------------------------|--------|------------------------|------|------|------|------|
| Optimal Viewing Angles | Top    | CR ≥ 2                 | -    | 20   | -    | °    |
|                        | Bottom |                        | -    | 40   | -    | °    |
|                        | Left   |                        | -    | 30   | -    | °    |
|                        | Right  |                        | -    | 30   | -    | °    |
| Contrast Ratio         | CR     | -                      | 2    | 3    | -    | -    |
| Response Time          | Rise   | T <sub>OP</sub> = 25°C | -    | 150  | 200  | ms   |
|                        | Fall   |                        | -    | 150  | 200  | ms   |

## Controller Information

Built-in ST7066U Controller

Please download specification at [http://www.newhavendisplay.com/app\\_notes/ST7066U.pdf](http://www.newhavendisplay.com/app_notes/ST7066U.pdf)

## Display Character Address Code

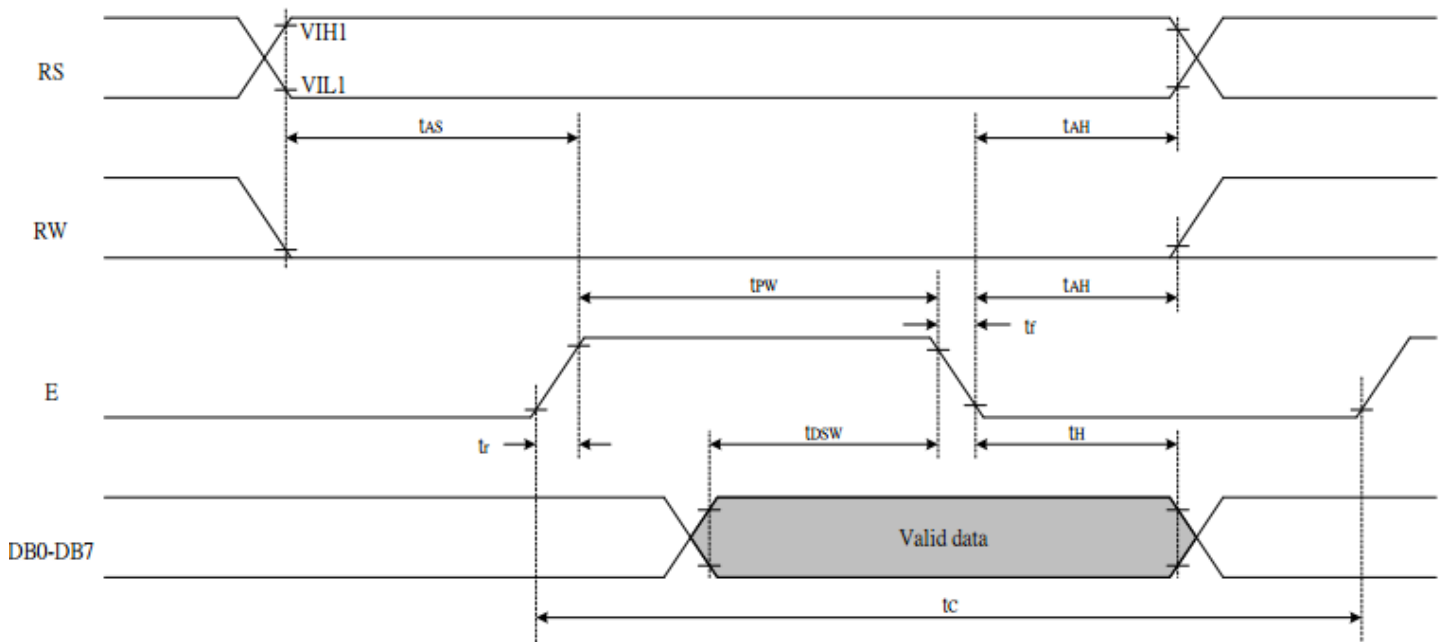
| 1  | 2  | 3  | 4  | 5  | 6  | 7  | 8  | 9  | 10 | 11 | 12 | 13 | 14 | 15 | 16 | 17 | 18 | 19 | 20 |
|----|----|----|----|----|----|----|----|----|----|----|----|----|----|----|----|----|----|----|----|
| 00 | 01 | 02 | 03 | 04 | 05 | 06 | 07 | 08 | 09 | 0A | 0B | 0C | 0D | 0E | 0F | 10 | 11 | 12 | 13 |
| 40 | 41 | 42 | 43 | 44 | 45 | 46 | 47 | 48 | 49 | 4A | 4B | 4C | 4D | 4E | 4F | 50 | 51 | 52 | 53 |

## Table of Commands

| Instruction                | Instruction code |     |     |     |     |     |     |     |     |     | Description | Execution time (f <sub>osc</sub> =270 KHZ)   |        |
|----------------------------|------------------|-----|-----|-----|-----|-----|-----|-----|-----|-----|-------------|--|--------|
|                            | RS               | R/W | DB7 | DB6 | DB5 | DB4 | DB3 | DB2 | DB1 | DB0 |             |  |        |
| Clear Display              | 0                | 0   | 0   | 0   | 0   | 0   | 0   | 0   | 0   | 0   | 1           | Write "20H" to DDRAM and set DDRAM address to "00H" from AC  | 1.52ms |
| Return Home                | 0                | 0   | 0   | 0   | 0   | 0   | 0   | 0   | 0   | 1   | -           | Set DDRAM Address to "00H" from AC and return cursor to its original position if shifted. The contents of DDRAM are not changed. | 1.52ms |
| Entry mode Set             | 0                | 0   | 0   | 0   | 0   | 0   | 0   | 0   | 1   | I/D | SH          | Sets cursor move direction and specifies display shift. These parameters are performed during data write and read.               | 37μs   |
| Display ON/OFF control     | 0                | 0   | 0   | 0   | 0   | 0   | 0   | 1   | D   | C   | B           | D=1: Entire display on<br>C=1: Cursor on<br>B=1: Blinking cursor on  | 37μs   |
| Cursor or Display shift    | 0                | 0   | 0   | 0   | 0   | 0   | 1   | S/C | R/L | -   | -           | Sets cursor moving and display shift control bit, and the direction without changing DDRAM data.                                 | 37μs   |
| Function set               | 0                | 0   | 0   | 0   | 1   | DL  | N   | F   | -   | -   | -           | DL: Interface data is 8/4 bits<br>N: Number of lines is 2/1<br>F: Font size is 5x11/5x8  | 37μs   |
| Set CGRAM Address          | 0                | 0   | 0   | 1   | AC5 | AC4 | AC3 | AC2 | AC1 | AC0 |             | Set CGRAM address in address counter   | 37μs   |
| Set DDRAM Address          | 0                | 0   | 1   | AC6 | AC5 | AC4 | AC3 | AC2 | AC1 | AC0 |             | Set DDRAM address in address counter.  | 37μs   |
| Read busy Flag and Address | 0                | 1   | BF  | AC6 | AC5 | AC4 | AC3 | AC2 | AC1 | AC0 |             | Whether during internal operation or not can be known by reading BF. The contents of address counter can also be read.           | 0s     |
| Write data To Address      | 1                | 0   | D7  | D6  | D5  | D4  | D3  | D2  | D1  | D0  |             | Write data into internal RAM (DDRAM/CGRAM).  | 37μs   |
| Read data From RAM         | 1                | 1   | D7  | D6  | D5  | D4  | D3  | D2  | D1  | D0  |             | Read data from internal RAM (DDRAM/CGRAM).   | 37μs   |

## Timing Characteristics

### Writing data from MPU to ST7066U



| Write Mode (Writing data from MPU to ST7066U) |                       |                 |      |   |    |    |
|---|-----------------------|-----------------|------|---|----|----|
| $T_C$   | Enable Cycle Time     | Pin E           | 1200 | - | -  | ns |
| $T_{PW}$                                      | Enable Pulse Width    | Pin E           | 140  | - | -  | ns |
| $T_R, T_F$                                    | Enable Rise/Fall Time | Pin E           | -    | - | 25 | ns |
| $T_{AS}$                                      | Address Setup Time    | Pins: RS, RW, E | 0    | - | -  | ns |
| $T_{AH}$                                      | Address Hold Time     | Pins: RS, RW, E | 10   | - | -  | ns |
| $T_{DSW}$                                     | Data Setup Time       | Pins: DB0 - DB7 | 40   | - | -  | ns |
| $T_H$   | Data Hold Time        | Pins: DB0 - DB7 | 10   | - | -  | ns |

## Reading data from ST7066U to MPU



| Read Mode (Reading Data from ST7066U to MPU) |                       |                 |      |   |     |    |
|--|-----------------------|-----------------|------|---|-----|----|
| $T_C$  | Enable Cycle Time     | Pin E           | 1200 | - | -   | ns |
| $T_{PW}$                                     | Enable Pulse Width    | Pin E           | 140  | - | -   | ns |
| $T_R, T_F$                                   | Enable Rise/Fall Time | Pin E           | -    | - | 25  | ns |
| $T_{AS}$                                     | Address Setup Time    | Pins: RS,RW,E   | 0    | - | -   | ns |
| $T_{AH}$                                     | Address Hold Time     | Pins: RS,RW,E   | 10   | - | -   | ns |
| $T_{DDR}$                                    | Data Setup Time       | Pins: DB0 - DB7 | -    | - | 100 | ns |
| $T_H$  | Data Hold Time        | Pins: DB0 - DB7 | 10   | - | -   | ns |



# Built-in Font Table

| b7-b4<br>b3-b0 | 0000             | 0001 | 0010 | 0011 | 0100 | 0101 | 0110 | 0111 | 1000 | 1001 | 1010 | 1011 | 1100 | 1101 | 1110 | 1111 |
|----------------|------------------|------|------|------|------|------|------|------|------|------|------|------|------|------|------|------|
| 0000           | CG<br>RAM<br>(1) |      |      | 0    | a    | P    | ^    | F    |      |      |      | —    | 9    | 3    | o    | p    |
| 0001           | (2)              | !    | 1    | A    | Q    | a    | A    |      |      |      | e    | 7    | 7    | G    | ä    | g    |
| 0010           | (3)              | "    | 2    | B    | R    | b    | r    |      |      |      | r    | 4    | ウ    | ×    | B    | e    |
| 0011           | (4)              | #    | 3    | C    | S    | c    | s    |      |      |      | l    | 9    | 7    | e    | e    | *    |
| 0100           | (5)              | *    | 4    | D    | T    | d    | t    |      |      |      | \    | I    | ト    | ト    | μ    | a    |
| 0101           | (6)              | %    | 5    | E    | U    | e    | u    |      |      |      | .    | オ    | ☆    | 1    | o    | 0    |
| 0110           | (7)              | &    | 6    | F    | V    | f    | v    |      |      |      | ワ    | カ    | 二    | ヨ    | ρ    | Σ    |
| 0111           | (8)              | '    | 7    | G    | W    | g    | w    |      |      |      | フ    | キ    | 又    | ウ    | g    | π    |
| 1000           | (1)              | <    | 8    | H    | X    | h    | x    |      |      |      | イ    | ウ    | *    | リ    | フ    | ×    |
| 1001           | (2)              | >    | 9    | I    | Y    | i    | y    |      |      |      | o    | ウ    | ノ    | ル    | リ    | y    |
| 1010           | (3)              | *    | :    | J    | Z    | j    | z    |      |      |      | z    | コ    | ン    | ル    | j    | z    |
| 1011           | (4)              | +    | :    | K    | L    | k    | l    |      |      |      | *    | ウ    | ロ    | ロ    | *    | π    |
| 1100           | (5)              | ,    | <    | L    | *    | l    | l    |      |      |      | ト    | ウ    | ウ    | ウ    | *    | π    |
| 1101           | (6)              | —    | =    | M    | J    | m    | j    |      |      |      | u    | 又    | ノ    | ノ    | ト    | ÷    |
| 1110           | (7)              | .    | >    | N    | ^    | n    | →    |      |      |      | z    | ト    | ト    | ノ    | π    |      |
| 1111           | (8)              | /    | ?    | O    | _    | o    | ←    |      |      |      | u    | ウ    | 又    | ノ    | o    | ■    |

## Example Initialization Program

8-bit Initialization:

```

/*****/
void command(char i)
{
    P1 = i;                //put data on output Port
    D_I =0;               //D/I=LOW : send instruction
    R_W =0;               //R/W=LOW : Write
    E = 1;
    Delay(1);             //enable pulse width >= 300ns
    E = 0;                //Clock enable: falling edge
}
/*****/
void write(char i)
{
    P1 = i;                //put data on output Port
    D_I =1;               //D/I=HIGH : send data
    R_W =0;               //R/W=LOW : Write
    E = 1;
    Delay(1);             //enable pulse width >= 300ns
    E = 0;                //Clock enable: falling edge
}
/*****/
void init()
{
    E = 0;
    Delay(100);           //Wait >40 msec after power is applied
    command(0x30);        //command 0x30 = Wake up
    Delay(30);            //must wait 5ms, busy flag not available
    command(0x30);        //command 0x30 = Wake up #2
    Delay(10);            //must wait 160us, busy flag not available
    command(0x30);        //command 0x30 = Wake up #3
    Delay(10);            //must wait 160us, busy flag not available
    command(0x38);        //Function set: 8-bit/2-line
    command(0x10);        //Set cursor
    command(0x0c);        //Display ON; Cursor ON
    command(0x06);        //Entry mode set
}
/*****/
```

4-bit Initialization:

```

/*****/
void command(char i)
{
    P1 = i;                //put data on output Port
    D_I = 0;              //D/I=LOW : send instruction
    R_W = 0;              //R/W=LOW : Write
    Nybble();             //Send Upper 4 bits
    i = i<<4;             //Shift over by 4 bits
    P1 = i;                //put data on output Port
    Nybble();             //Send upper 4 bits
}
/*****/
void write(char i)
{
    P1 = i;                //put data on output Port
    D_I = 1;              //D/I=HIGH : send data
    R_W = 0;              //R/W=LOW : Write
    Nybble();             //Clock Upper 4 bits
    i = i<<4;             //Shift over by 4 bits
    P1 = i;                //put data on output Port
    Nybble();             //Clock upper 4 bits
}
/*****/
void Nybble()
{
    E = 1;
    Delay(1);              //enable pulse width >= 300ns
    E = 0;                 //Clock enable: falling edge
}
/*****/
void init()
{
    P1 = 0;
    P3 = 0;
    Delay(100);            //Wait >40 msec after power is applied
    P1 = 0x30;             //put 0x30 on the output port
    Delay(30);             //must wait 5ms, busy flag not available
    Nybble();              //command 0x30 = Wake up
    Delay(10);             //must wait 160us, busy flag not available
    Nybble();              //command 0x30 = Wake up #2
    Delay(10);             //must wait 160us, busy flag not available
    Nybble();              //command 0x30 = Wake up #3
    Delay(10);             //can check busy flag now instead of delay
    P1= 0x20;              //put 0x20 on the output port
    Nybble();              //Function set: 4-bit interface
    command(0x28);         //Function set: 4-bit/2-line
    command(0x10);         //Set cursor
    command(0x0F);         //Display ON; Blinking cursor
    command(0x06);         //Entry Mode set
}
/*****/

```

## Quality Information

| Test Item                             | Content of Test   | Test Condition   | Note |
|---------------------------------------|---|--|------|
| High Temperature storage              | Endurance test applying the high storage temperature for a long time.   | +80°C , 200 Hrs.   | 2    |
| Low Temperature storage               | Endurance test applying the low storage temperature for a long time.  | -30°C , 200 Hrs.   | 1,2  |
| High Temperature Operation            | Endurance test applying the electric stress (voltage & current) and the high thermal stress for a long time.                    | +70°C, 200 Hrs.  | 2    |
| Low Temperature Operation             | Endurance test applying the electric stress (voltage & current) and the low thermal stress for a long time.                     | -20°C , 200 Hrs.   | 1,2  |
| High Temperature / Humidity Operation | Endurance test applying the electric stress (voltage & current) and the high thermal with high humidity stress for a long time. | +60°C , 90% RH , 96 Hrs.   | 1,2  |
| Thermal Shock resistance              | Endurance test applying the electric stress (voltage & current) during a cycle of low and high thermal stress.                  | -20°C,30min -> 25°C,5min -> 70°C,30min = 1 cycle<br>10 cycles                        |      |
| Vibration test                        | Endurance test applying vibration to simulate transportation and use.   | 10-55Hz , 1.5mm amplitude.<br>60 sec in each of 3 directions X,Y,Z<br>For 15 minutes | 3    |
| Static electricity test               | Endurance test applying electric static discharge.  | V <sub>s</sub> =±800V, R <sub>s</sub> =330Ω, C <sub>s</sub> =150pF<br>10 Times       |      |

**Note 1:** No condensation to be observed.

**Note 2:** Conducted after 4 hours of storage at 25°C, 0%RH.

**Note 3:** Test performed on product itself, not inside a container.

## Precautions for using LCDs/LCMs

See Precautions at [www.newhavendisplay.com/specs/precautions.pdf](http://www.newhavendisplay.com/specs/precautions.pdf)

## Warranty Information and Terms & Conditions

[http://www.newhavendisplay.com/index.php?main\\_page=terms](http://www.newhavendisplay.com/index.php?main_page=terms)