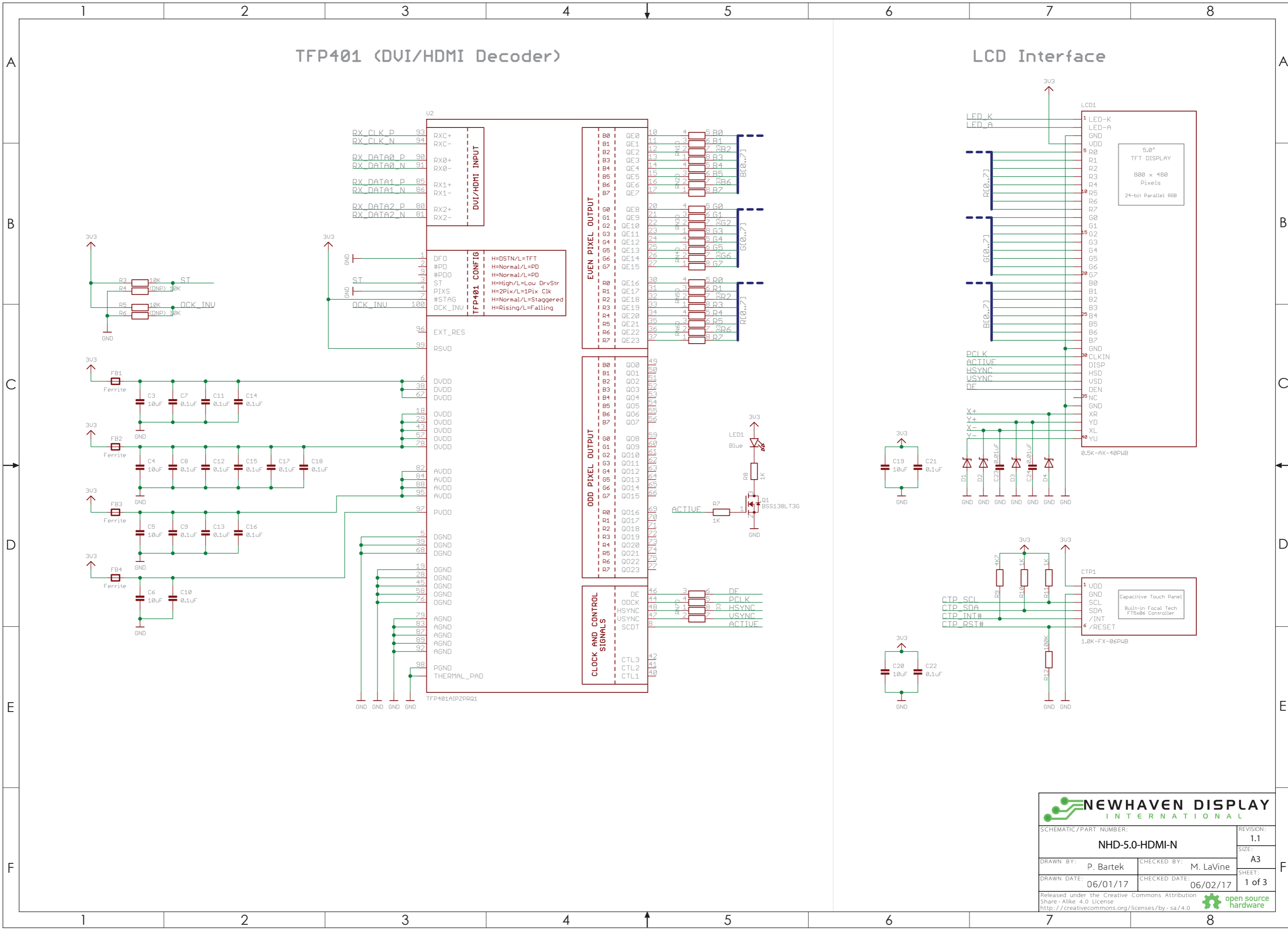


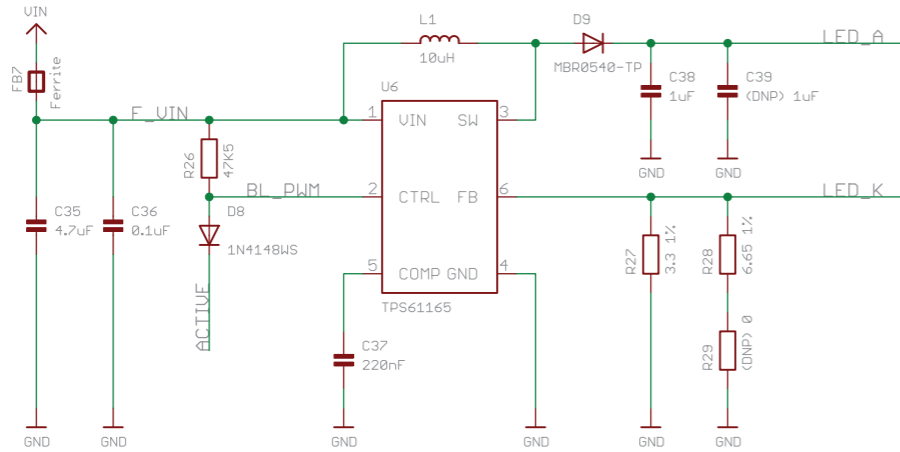
# TFP401 (DVI/HDMI Decoder)

# LCD Interface



SCHEMATIC/PART NUMBER: <b>NHD-5.0-HDMI-N</b>	
DRAWN BY: P. Bartek	CHECKED BY: M. LaVine
DRAWN DATE: 06/01/17	CHECKED DATE: 06/02/17
REVISION: 1.1	SIZE: A3
SHEET: 1 of 3	
Released under the Creative Commons Attribution Share - Alike 4.0 License <a href="http://creativecommons.org/licenses/by-sa/4.0">http://creativecommons.org/licenses/by-sa/4.0</a>	

## Backlight

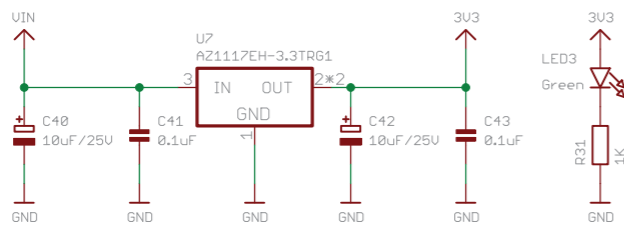


Backlight Configuration		
Current	R29	Display
(Default) ~60mA	Open	ATXL#
~90mA	Close	ASXU#, ASXN#

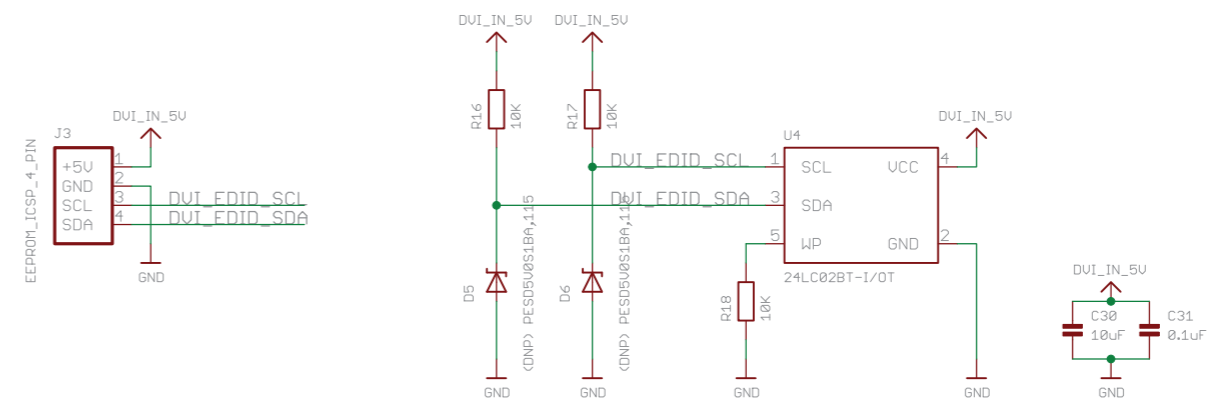
## HDMI-A



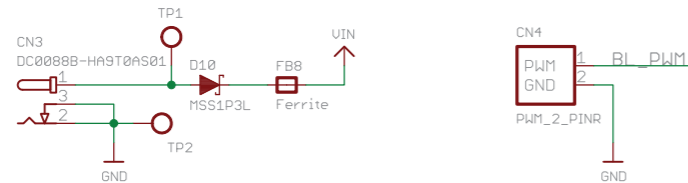
## 3.3V Regulator 800mA



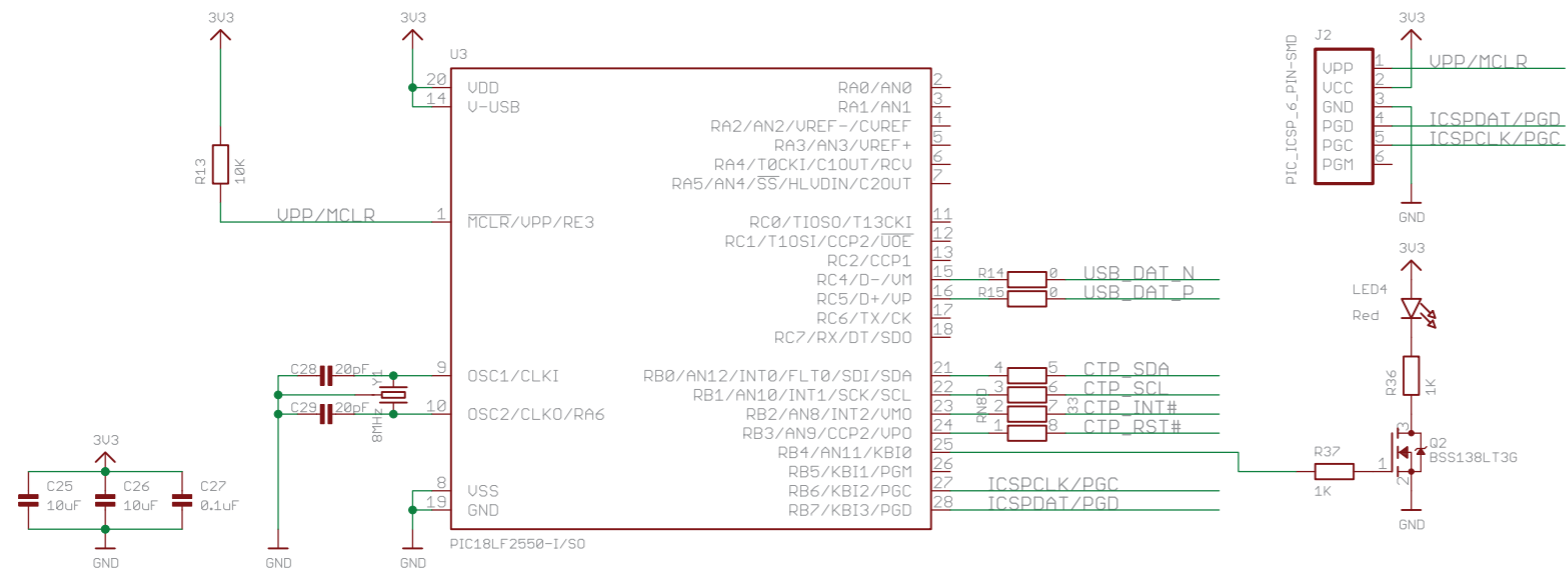
## EEPROM



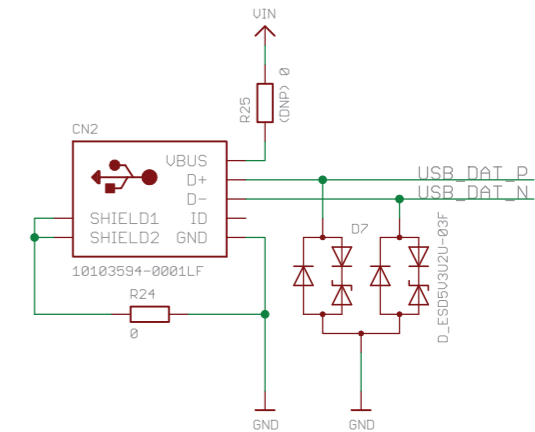
## UIN / PWM



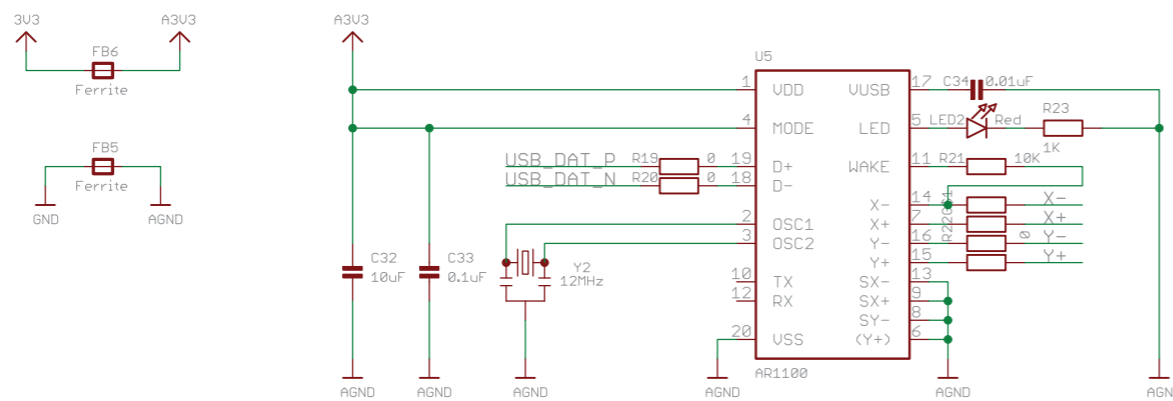
## PIC18LF2550 / Capacitive Touch Screen Controller



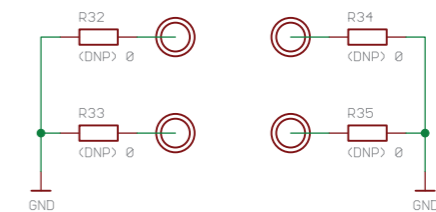
## Micro-B USB



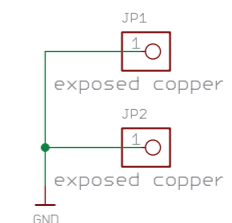
## Resistive Touch Screen Controller



## Mounting Holes 3.5mm Plated



## Exposed Pads to Ground TFT Bezel



## BOARD VERSIONS

**RTU Version:** (DNP) - C1, C20, C25, C26, C2, C22, C27, C28, C29, C39, CTP1, D1, D2, D3, D4, D5, D6, LED4, Q2, R4, R6, R13, R9, R10, R11, R36, R37, R12, R14, R15, R25, R29, R32, R33, R34, R35, RN8, U1, U3, Y1

**CTU Version:** (DNP) - C1, C32, C2, C33, C23, C24, C34, C39, D1, D2, D3, D4, D5, D6, FB5, FB6, LED2, R4, R6, R21, R19, R20, R25, R29, R22, R23, R32, R33, R34, R35, U1, U5, Y2

**Non-Touch Version:** (DNP) - C1, C20, C25, C26, C32, C2, C22, C27, C33, C23, C24, C34, C28, C29, C39, CN2, CTP1, D1, D2, D3, D4, D5, D6, D7, FB5, FB6, LED2, LED4, Q2, R4, R6, R13, R21, R9, R10, R11, R23, R36, R37, R12, R14, R15, R19, R20, R24, R25, R29, R22, R32, R33, R34, R35, RN8, U1, U3, U5, Y1, Y2

<b>NEWHAVEN DISPLAY</b> INTERNATIONAL		REVISION: <b>1.1</b>
SCHEMATIC/PART NUMBER: <b>NHD-5.0-HDMI-N</b>		SIZE: <b>A3</b>
DRAWN BY: P. Bartek	CHECKED BY: M. LaVine	SHEET: <b>3 of 3</b>
DRAWN DATE: 06/01/17	CHECKED DATE: 06/02/17	
Released under the Creative Commons Attribution Share-Alike 4.0 License <a href="http://creativecommons.org/licenses/by-sa/4.0">http://creativecommons.org/licenses/by-sa/4.0</a>		
		<b>open source hardware</b>