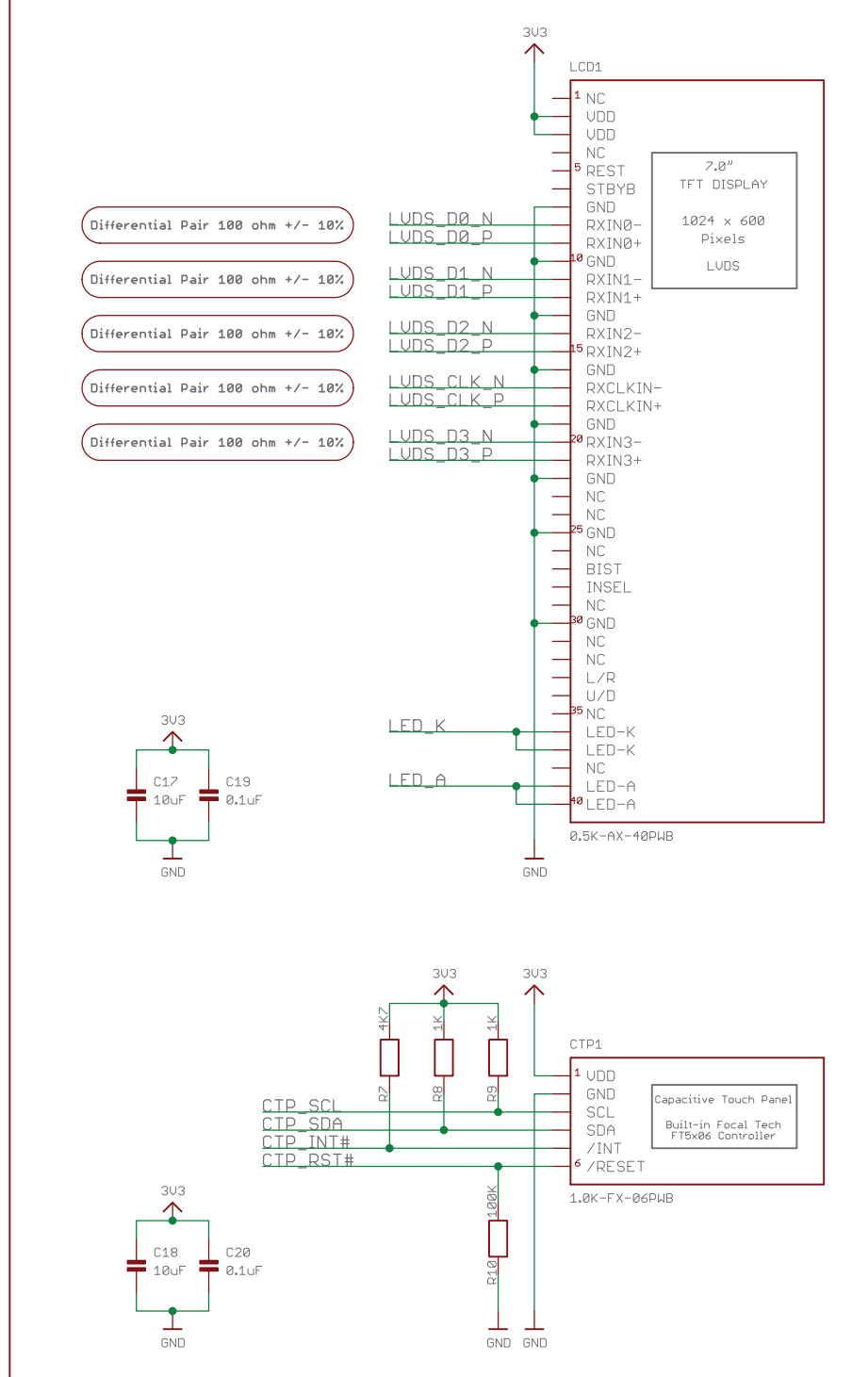
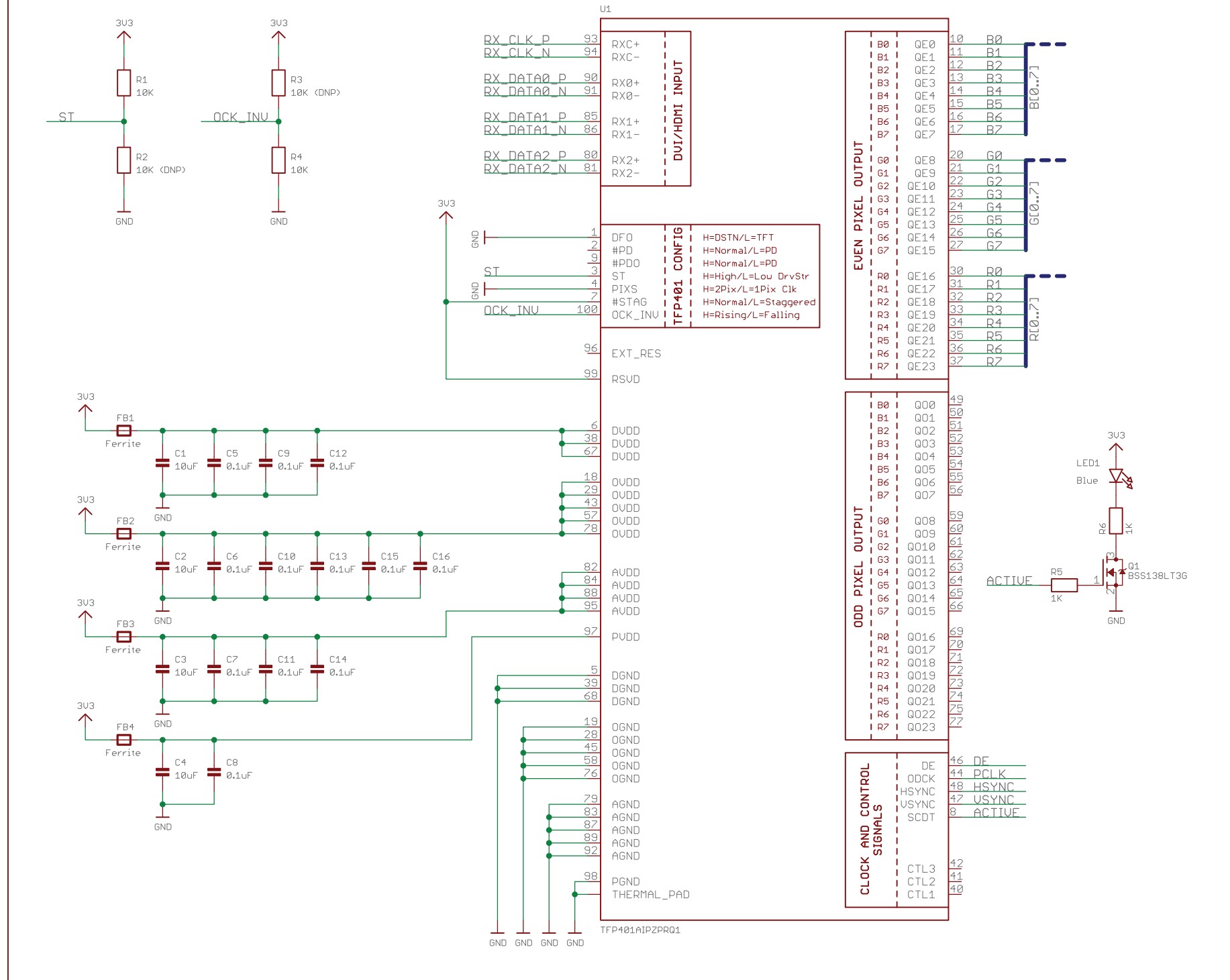


# TFP401 (DVI/HDMI Decoder)

# LCD Interface



**NEWHAVEN DISPLAY INTERNATIONAL**

SCHEMATIC/PART NUMBER: **NHD-7.0-HDMI-HR\_SCH**

REVISION: -

SIZE: A3

DRAWN BY: **P. Bartek** CHECKED BY: **M. LaVine**

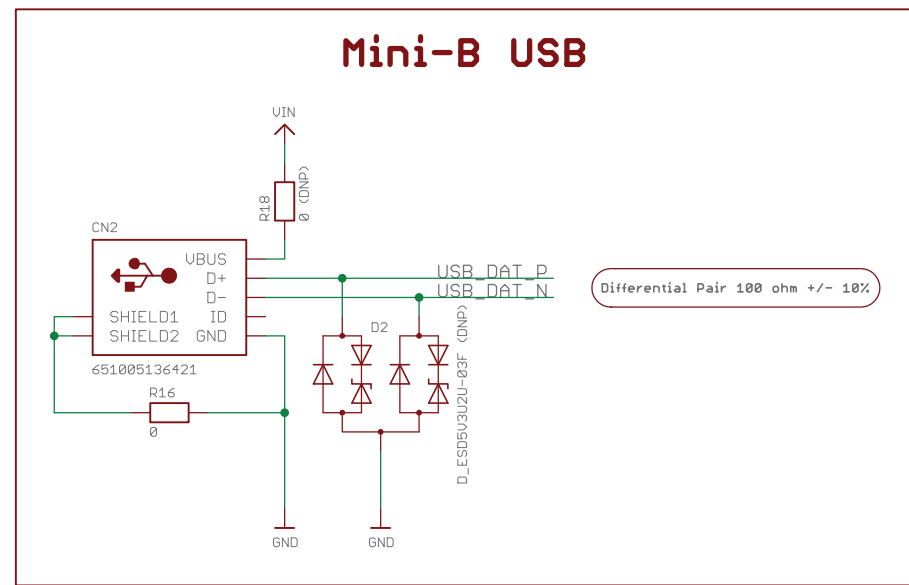
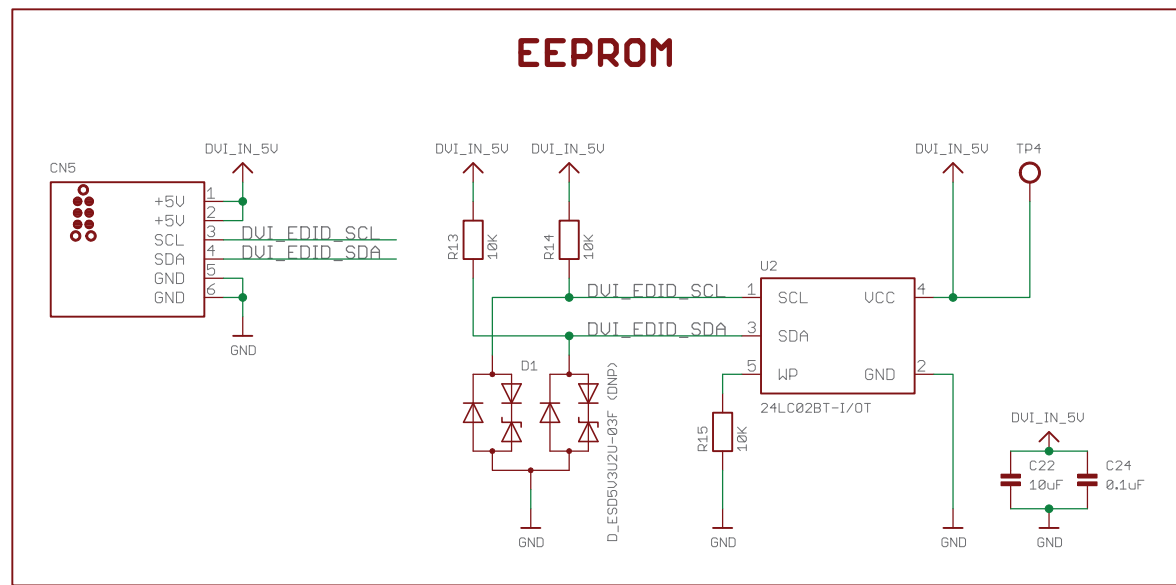
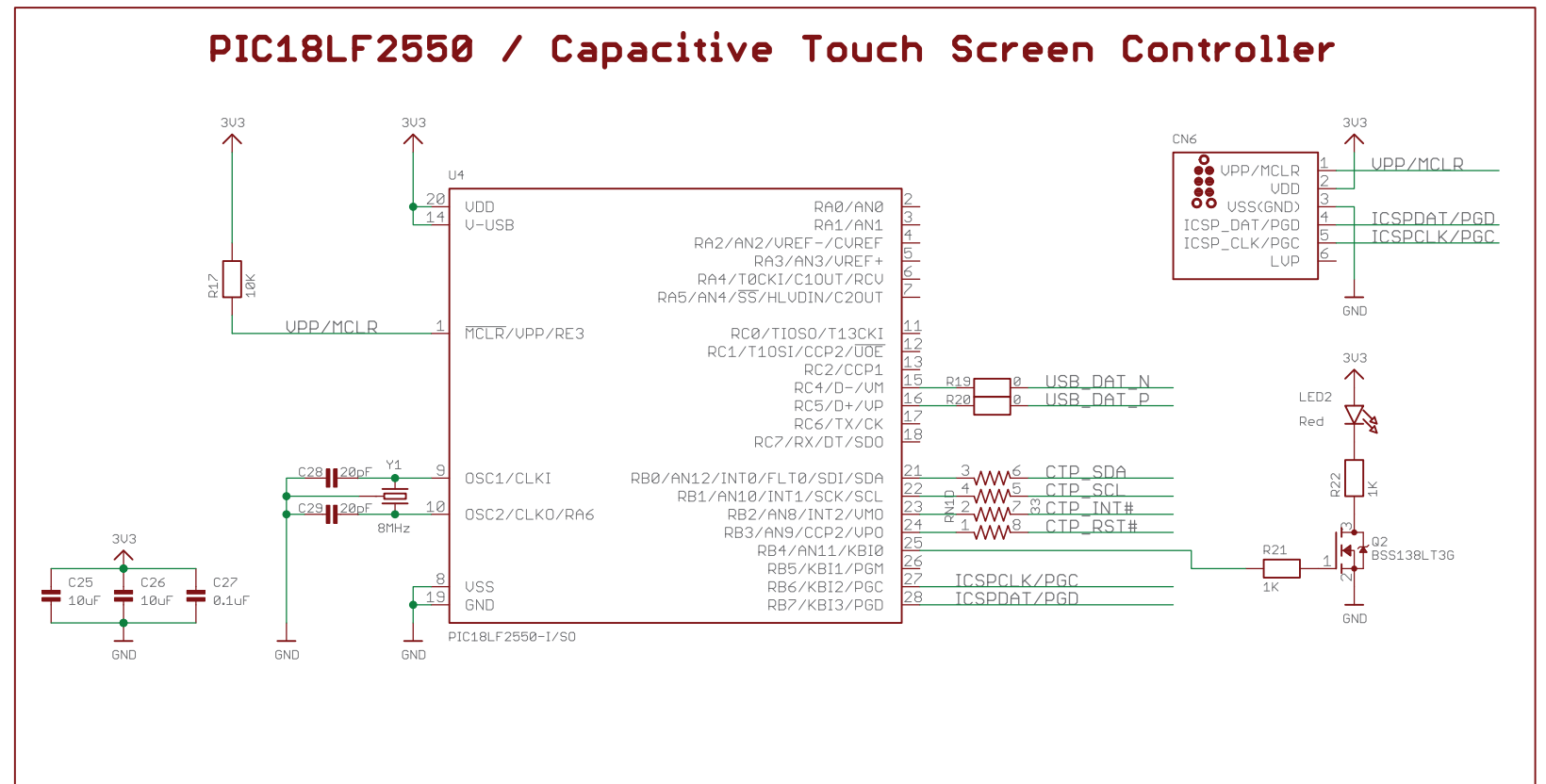
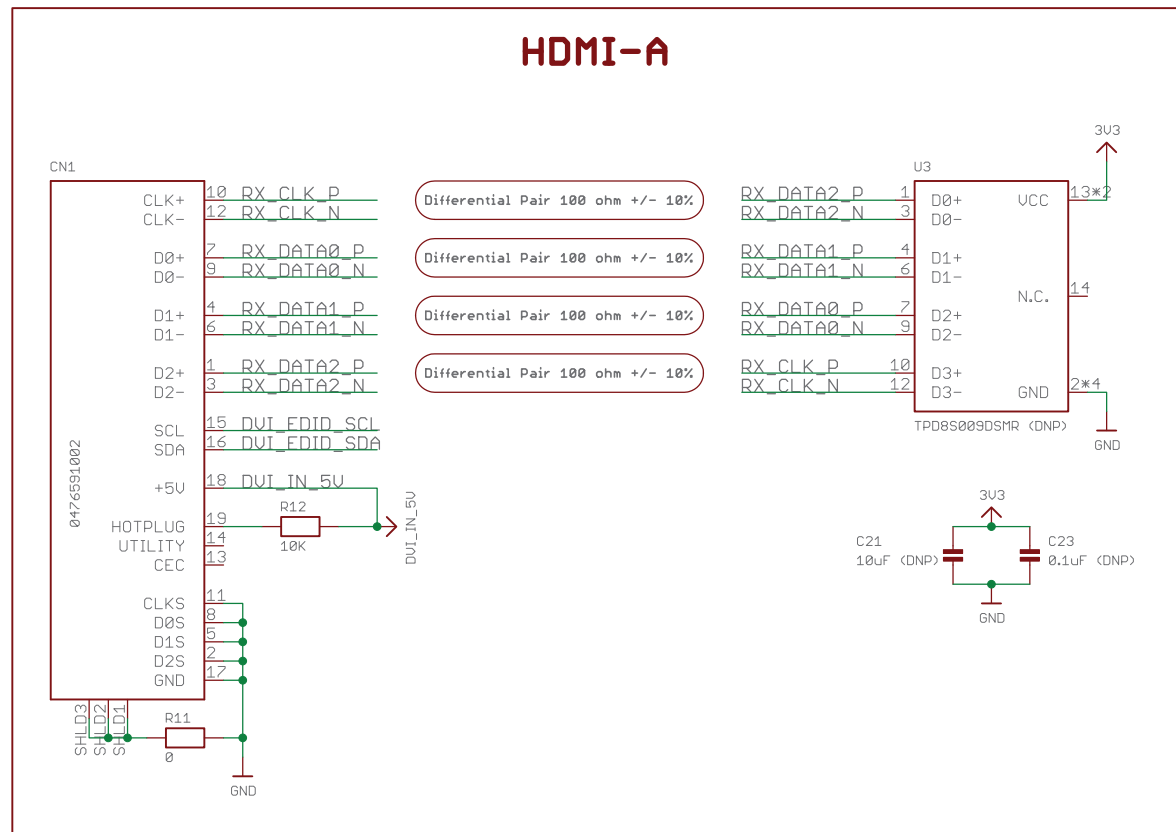
DRAWN DATE: **05/31/19** CHECKED DATE: **05/31/19**

SHEET: 1 of 4

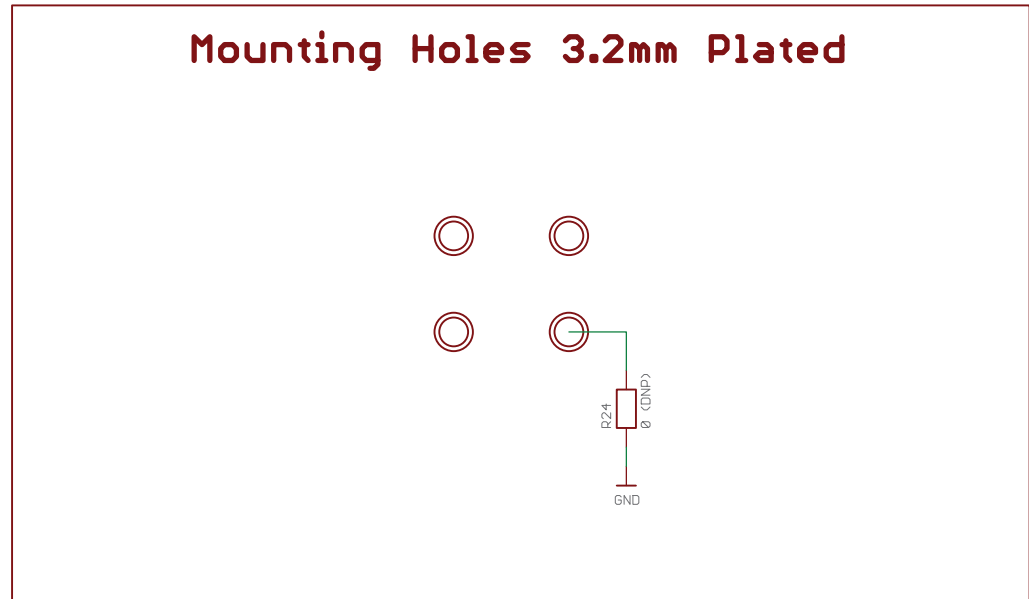
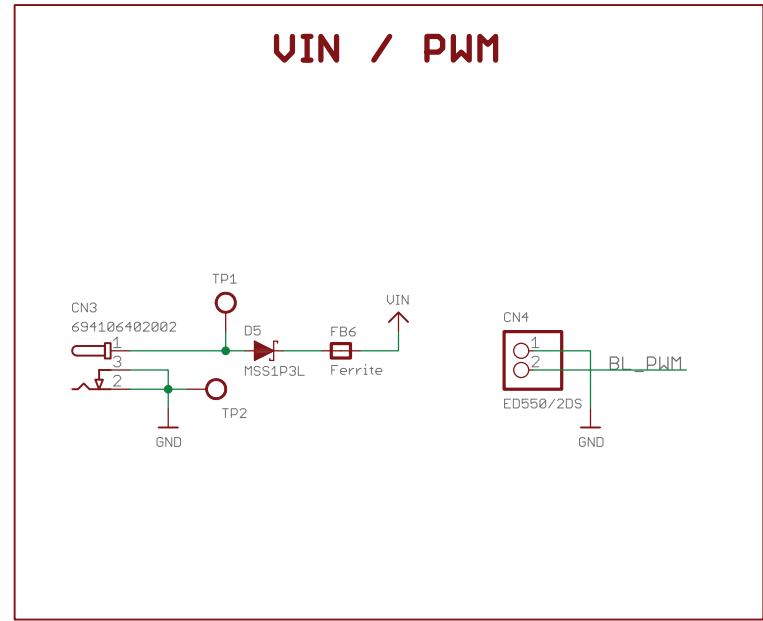
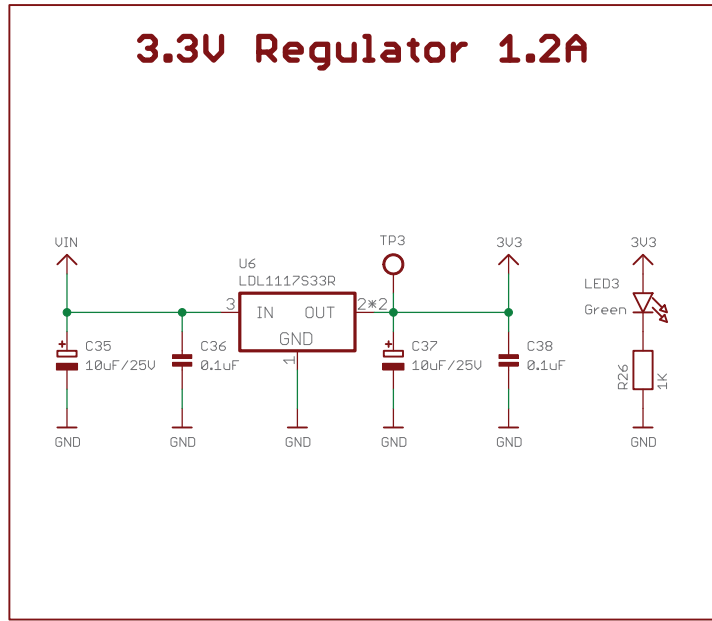
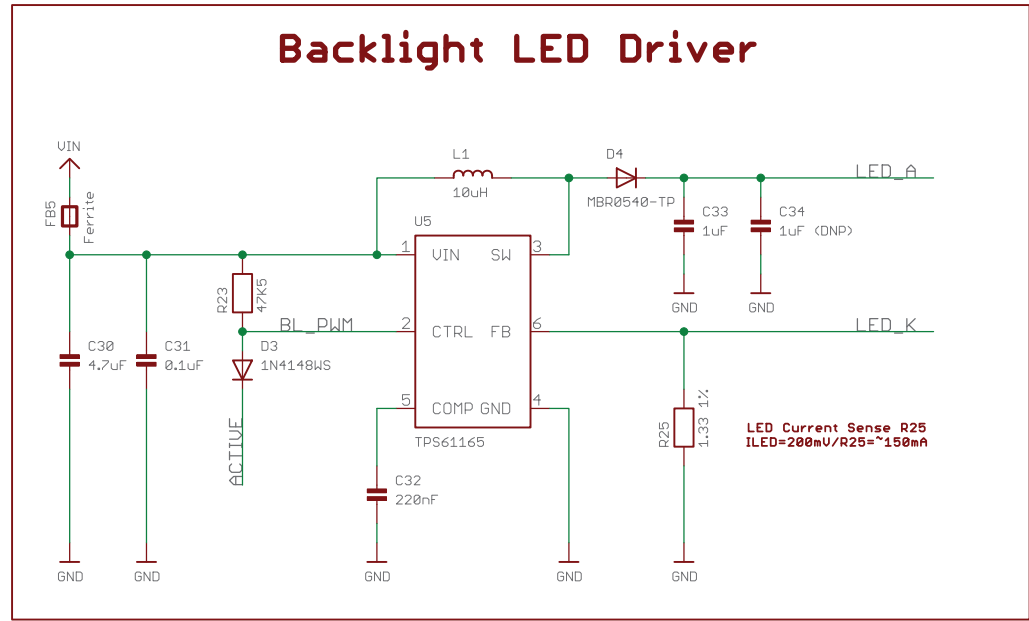
Released under the Creative Commons Attribution Share - Alike 4.0 License <http://creativecommons.org/licenses/by-sa/4.0>

open source hardware





SCHEMATIC/PART NUMBER:		REVISION:
<b>NHD-7.0-HDMI-HR_SCH</b>		-
DRAWN BY: <b>P. Bartek</b>		CHECKED BY: <b>M. LaVine</b>
DRAWN DATE: <b>05/31/19</b>		CHECKED DATE: <b>05/31/19</b>
SIZE: <b>A3</b>		SHEET: <b>3 of 4</b>
Released under the Creative Commons Attribution Share - Alike 4.0 License <a href="http://creativecommons.org/licenses/by-sa/4.0">http://creativecommons.org/licenses/by-sa/4.0</a>		



### BOARD VERSIONS

CTU Version: (DNP) - C21, C23, C34, CN5, CN6, D1, D2, R2, R3, R55, R18, R24, U3

Non-Touch Version: (DNP) - C18, C21, C25, C26, C20, C23, C27, C28, C29, C34, CN2, CN5, CN6, CTP1, D1, D2, LED2, Q2, R2, R3, R17, R55, R7, R8, R9, R21, R22, R10, R16, R19, R20, R24, R18, RN1, U3, U4, Y1

**NEWHAVEN DISPLAY**  
INTERNATIONAL

SCHEMATIC / PART NUMBER:		REVISION:
<b>NHD-7.0-HDMI-HR_SCH</b>		-
DRAWN BY:		SIZE:
P. Bartek	CHECKED BY: M. LaVine	A3
DRAWN DATE:		SHEET:
05/31/19	CHECKED DATE: 05/31/19	4 of 4
<small>Released under the Creative Commons Attribution Share - Alike 4.0 License  <a href="http://creativecommons.org/licenses/by-sa/4.0">http://creativecommons.org/licenses/by-sa/4.0</a> </small>		

open source hardware