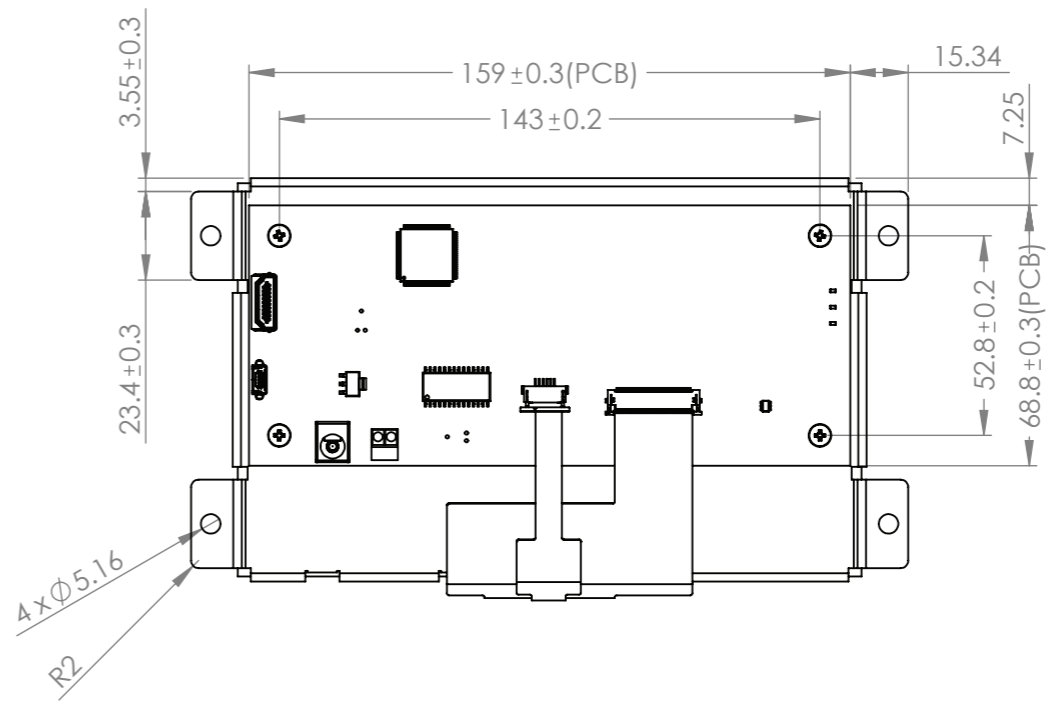
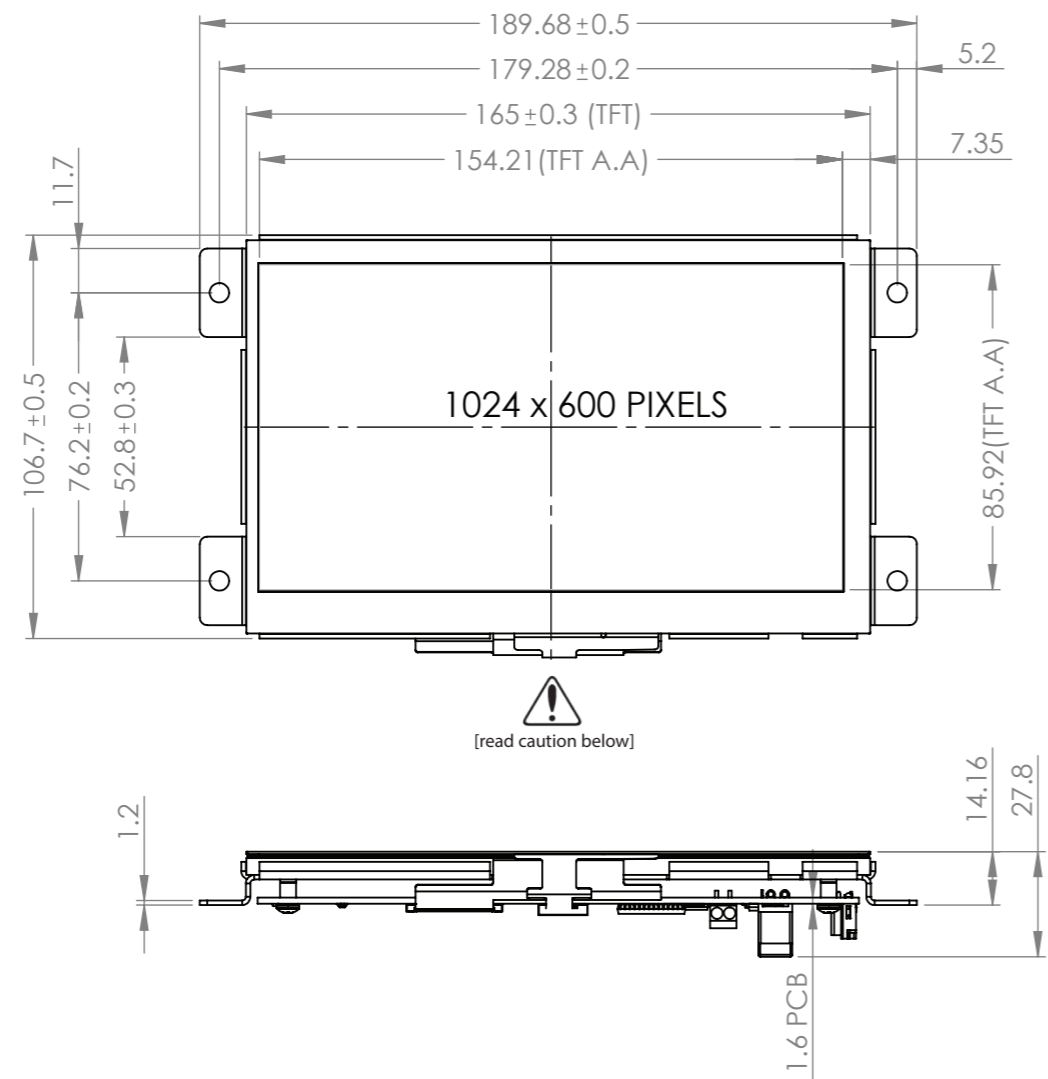


1	2	3	4	5	6	7	8
				SYMBOL	REVISION		DATE



- NOTES:
- 10.1" HDMI TFT Module w/ USB-HID Capacitive Touch
 - On-board Texas Instruments TFP401A HDMI/DVI Receiver
 - Optimal Viewing Direction: Full View (IPS)
 - Display Mode: Transmissive / Normally White / Anti-Glare
 - Brightness: 900 cd/m² (Typ)
 - 3M Brightness Enhancement Film
 - On-board Texas Instruments TPS61165 High Brightness LED Driver w/ PWM
 - 4x Mounting Holes, compatible with Rack Unit (RU) spacing
 - Touch Panel: PCAP

Improper handling of the FPC connections at the bottom edge of this module may cause damage resulting in display or touch failure. Take special care when handling this area of the display module to make sure these connections are never strained nor created.

STANDARD TOLERANCE: (UNLESS OTHERWISE SPECIFIED)		
LINEAR: ±0.3mm	DRAWING/PART NUMBER: NHD-7.0-HDMI-HR-RSXP-CTU	REVISION: -
UNLESS OTHERWISE SPECIFIED:	DRAWN BY: P. Bartek	APPROVED BY: M. LaVine
- DIMENSIONS ARE IN MILLIMETERS	DRAWN DATE: 05/29/19	APPROVED DATE: 05/31/19
- THIRD ANGLE PROJECTION	DO NOT SCALE DRAWING	
	SHEET 1 OF 1	
THIS DRAWING IS SOLELY THE PROPERTY OF NEWHAVEN DISPLAY INTERNATIONAL, INC. THE INFORMATION IT CONTAINS IS NOT TO BE DISCLOSED, REPRODUCED OR COPIED IN WHOLE OR PART WITHOUT WRITTEN APPROVAL FROM NEWHAVEN DISPLAY.		